

S2005 CABINETS



This series of Cabinets forms the basis of Australia's top selling range. They are both aesthetically pleasing and versatile. All versions of similar height and depth may be readily bayed together, further enhancing the visual of these units.

To augment the flexibility of this range of cabinets, two styles of mounting angles are available to provide multiple combinations to suit all applications.

To ensure these cabinets remain cost effective, it was decided that customers must be able to fit out the cabinet to suit their specific requirements. There should be no need to purchase cabinet features that add to the cost but are not required.

As an example, for cable management, rear mounting angles are often not needed, so they have been made optional. Typical of all MFB cabinets and accessories, this series demonstrates quality, coupled with innovative and functional design.

WHILE MFB OFFER
A LARGE RANGE
OF STANDARD SIZE CABINETS,
SPECIAL SIZES ARE
AVAILABLE. PLEASE DISCUSS
YOUR NEEDS WITH ONE
OF OUR SALES
REPRESENTATIVES.

FEATURES

- Accepts 2 types of mounting angles. (See page 12).
- Removable bottom trims at front and rear allows cable access when through the floor entry is not available.
- Bolt down holes in the base.
- Levelling feet brackets for optional levelling feet.
- Grille top panel with cable entry port.
- Side panels may be omitted when cabinets are to be bayed up. To assist cabling between racks, ports in the-side of the base frame are exposed when the side panels are removed.
- Flush rear panels can be used as an alternative to doors. These panels are retained by screws. For added protection, these screws can be changed to a security type which can only be removed using a special tool.

OPTIONS

- Mounting Angles can be positioned anywhere within the confines of the cabinet.
- Snap-on and key lockable sides.
- Flush doors at the front and rear are mounted on lift-off hinges. The doors have a full 180° swing and are fitted with central key locks, multi-point locking, or magnetic catches.
- Glazed doors can be glass or acrylic panel, with or without venting.
- Metal doors can be plain or vented.
- Roof Fan Tray with or without thermostat or speed controller.
- For ventilation, grille trims may be fitted and increased air flow can be achieved by the introduction of a Plinth Fan Unit.
- Castor rails can be fitted. They add only 20mm to the overall height. They cannot be used in conjunction with a Plinth Fan Unit. All castors used are heavy duty ball bearing type.
- Levelling feet.
- Castor Base for use with Plinth Fan Unit.
- Stabilizer Feet can be added to the frame to provide additional stability when large items are slid out from the cabinet. These feet sit flush within the bottom trim and can be pivoted out when required. This innovative design ensures there is no danger of tripping when not in use.
- Lifting Eyebolts provisions are standard. (See page 86 for further details).
- Can be shipped unassembled.
- Brushed Cable gland is available upon request to fit on cable entry holes in top panel.

FINISH

- Frame colour is black powder coat. Other colours available on request.

AVAILABLE SIZES

- Heights: 12ru, 18ru, 27ru, 33ru, 39ru, 42ru and 45ru
- Depths: 600mm, 700mm, 800mm, 900mm, 1000mm and 1200mm
- Widths: 600mm 700mm and 800mm

The 600mm wide cabinet provides 19" standard racking. The 700mm wide allows for racking of 23" equipment and the 800mm provides 682mm panel racking. Both the 700mm and 800mm are available as a reducer rack, which offers 19"-mounting in a 700mm or 800mm overall width cabinets, thus providing increased cabling space at the sides for that larger installation.

The top panel is integrated into the frame, so it is not an option. It has a grille pattern for heat dissipation and a cable entry port that can be matched to the MFB Roof Cable Duct. (See page 71). A-choice of fan trays provides forced ventilation. Trays with 2, 4, and 6 fans are available and can be thermostatically switched. (Refer to page 77).



Continuity of design ensures that most of-the comprehensive range of MFB accessories are compatible with this series. Wherever this does not occur, equivalent components have been developed.



800 WIDE
VERSION SHOWN



1200 DEEP
VERSION SHOWN

S2005 FOR NETWORK SERVER APPLICATIONS

MFB has developed this Network Server Cabinet in response to the needs to house large file servers and other large equipment. Based on the successful Series 2005 range, this cabinet is further complimented with additional features for stability and increased airflow.

New deeper file servers have lead to the release of a 1200mm (1.2m) deep version of the rack. For ease of use and safety, the frame has been designed so that the sides consist of 2 x 600mm panels with a vertical support. In addition, there are frame supports in the base and stiffening in the top panel. This assures the frame will be strong and stable to support large loads.

Some items of modern equipment require significant front to rear air flow. MFB has developed a functional glazed door, with large vented areas either side of the glass or acrylic panel. When matched with the vented metal rear door, maximum air flow is achieved.

S2005 - 1200MM DEEP

This Series 2005 Cabinet is a perfect choice for large servers, the rack has an overall depth of 1200mm with a maximum internal mounting depth of 1060mm. the frame is designed so that the sides consist of 2 x 600mm panels with a vertical support. In addition, there are frame supports in the base and stiffening in the top panel, this ensures the frame will be strong and stable to support large loads.

FEATURES

These cabinets may be bayed to existing series 2005 cabinets for continuity of line.

Frame colour is black powder coat. Other colours available on request.

- The standard range of accessories for 2005 series cabinets are generally compatible with these-cabinets.
- Frames can be fitted with swingframe.

MOUNTING ANGLES

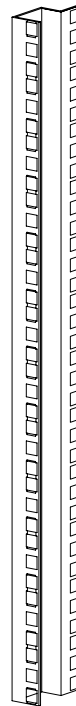


TYPE A PROFILE

The Type A mounting angle is fully adjustable throughout the depth of the rack, the right angle design provides easy mounting of equipment and accessories when only front and/or rear mounting is required. This mounting angle is the preferred cost effective choice for equipment and accessory mounting.

TYPE A PROFILE (ADJUSTABLE)

RU	CODE
12	12008-43
18	12008-07
27	12008-01
33	12008-45
39	12008-03
42	12008-21
45	12008-05

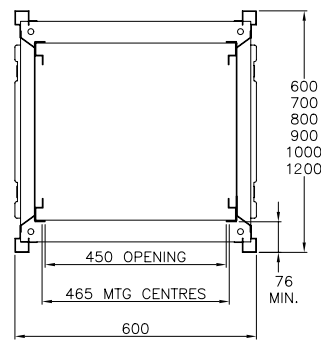
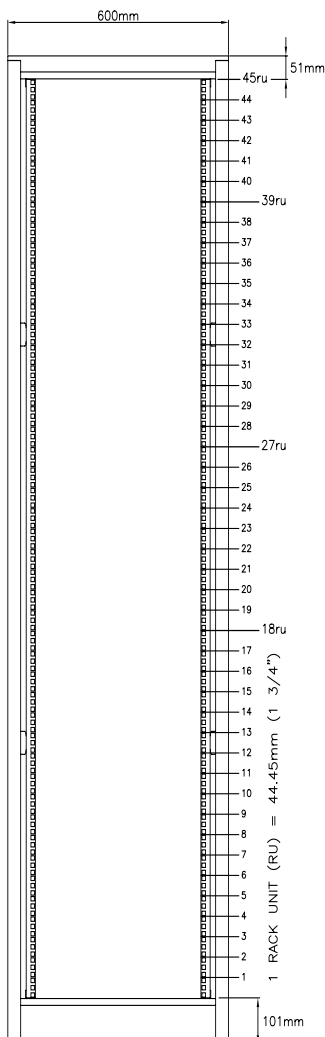


TYPE C PROFILE

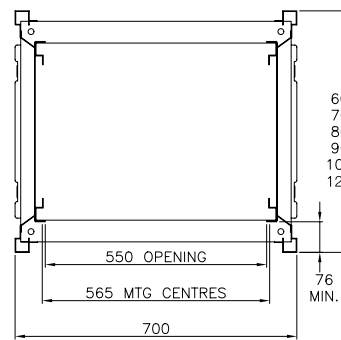
The Type C mounting angle is also fully adjustable and can be mounted in all MFB enclosures. This mounting angle features an additional mounting option on the side allowing for flexibility in equipment installations when required.

TYPE C PROFILE (ADJUSTABLE WITH SIDE PROFILE)

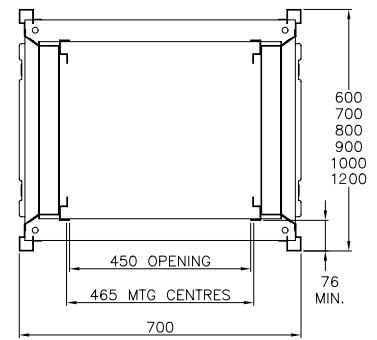
RU	CODE
12	12009-19
18	12009-15
27	12009-01
33	12009-39
39	12009-03
42	12009-21
45	12009-05



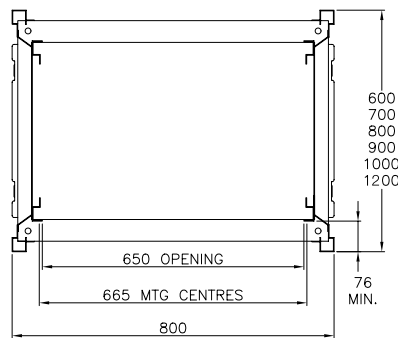
600 WIDE PLAN



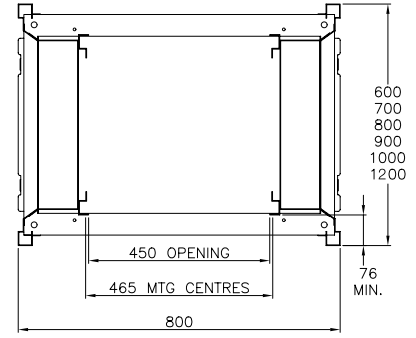
700 WIDE PLAN



700/19" PLAN



800 WIDE PLAN



800/19" PLAN

S2005 FRAMES - PART NUMBERS

OVERALL		600			700		700/19"		800		800/19"	
RU	HEIGHT	DEPTH	CODE	WEIGHT	CODE	WEIGHT	CODE	WEIGHT	CODE	WEIGHT	CODE	WEIGHT
12	686	600	06000-01	34	06000-46	37	06002-50	39	06001-01	40	06002-01	42
		700	06000-02	40	06000-47	43	06002-51	45	06001-02	46	06002-02	48
		800	06000-03	43	06000-48	46	06002-52	48	06001-03	49	06002-03	51
		900	06000-04	47	06000-49	50	06002-53	52	06001-04	53	06002-04	55
		1000	06000-05	51	06000-50	54	06002-54	56	06001-05	57	06002-05	59
		1200	06000-300	56	06000-86	59	06002-90	61	06001-46	62	06002-41	63
18	953	600	06000-06	44	06000-51	47	06002-55	49	06001-06	50	06002-06	52
		700	06000-07	50	06000-52	53	06002-56	55	06001-07	56	06002-07	58
		800	06000-08	55	06000-53	58	06002-57	60	06001-08	61	06002-08	63
		900	06000-09	59	06000-54	62	06002-58	64	06001-09	65	06002-09	67
		1000	06000-10	63	06000-55	66	06002-59	68	06001-10	69	06002-10	71
		1200	06000-301	67	06000-87	70	06002-91	72	06001-47	73	06002-42	75
27	1353	600	06000-11	59	06000-61	62	06002-65	64	06001-11	65	06002-11	68
		700	06000-12	65	06000-62	68	06002-66	70	06001-12	71	06002-12	74
		800	06000-13	73	06000-63	76	06002-67	78	06001-13	79	06002-13	82
		900	06000-14	77	06000-64	80	06002-68	82	06001-14	83	06002-14	86
		1000	06000-15	81	06000-65	84	06002-69	86	06001-15	87	06002-15	90
		1200	06000-303	85	06000-89	88	06002-93	90	06001-49	91	06002-44	94
33	1619	600	06000-16	69	06000-66	72	06002-70	74	06001-16	76	06002-16	80
		700	06000-17	75	06000-67	78	06002-71	80	06001-17	83	06002-17	87
		800	06000-18	83	06000-68	86	06002-72	88	06001-18	91	06002-18	95
		900	06000-19	87	06000-69	90	06002-73	92	06001-19	95	06002-19	99
		1000	06000-20	91	06000-70	94	06002-74	96	06001-20	99	06002-20	103
		1200	06000-304	95	06000-90	98	06002-94	100	06001-50	103	06002-45	107
39	1886	600	06000-21	79	06000-71	82	06002-75	84	06001-21	86	06002-21	90
		700	06000-22	86	06000-72	89	06002-76	91	06001-22	94	06002-22	98
		800	06000-23	96	06000-73	99	06002-77	101	06001-23	104	06002-23	108
		900	06000-24	100	06000-74	103	06002-78	105	06001-24	108	06002-24	112
		1000	06000-25	104	06000-75	107	06002-79	109	06001-25	112	06002-25	116
		1200	06000-305	108	06000-91	111	06002-95	113	06001-51	116	06002-46	120
42	2019	600	06000-26	84	06000-76	87	06002-80	89	06001-26	91	06002-26	96
		700	06000-27	91	06000-77	94	06002-81	96	06001-27	100	06002-27	104
		800	06000-28	102	06000-78	105	06002-82	107	06001-28	111	06002-28	115
		900	06000-29	106	06000-79	109	06002-83	111	06001-29	115	06002-29	119
		1000	06000-30	110	06000-80	113	06002-84	115	06001-30	119	06002-30	123
		1200	06000-306	114	06000-92	117	06002-96	119	06001-52	123	06002-47	127
45	2153	600	06000-31	89	06000-81	92	06002-85	94	06001-31	97	06002-31	101
		700	06000-32	97	06000-82	100	06002-86	102	06001-32	105	06002-32	109
		800	06000-33	109	06000-83	112	06002-87	114	06001-33	117	06002-33	121
		900	06000-34	113	06000-84	116	06002-88	118	06001-34	121	06002-34	125
		1000	06000-35	117	06000-85	120	06002-89	122	06001-35	125	06002-35	129
		1200	06000-307	121	06000-93	124	06002-97	126	06001-53	129	06002-48	133

NOTES:

Preferred sizes are indicated by blue areas. The Series 2005 Cabinet generally conforms to IEC 60297 and AS1939 practice. Weights are for Frame sides, 2 metal doors & Mounting angles.

S2005 DOORS

These innovatively designed doors are a feature of the 2005 cabinet range. The unique box fold on both sides of the door was developed employing state of the art bending technology and machinery that provided the platform for the development of these doors. This technique ensures that the doors will be both light and strong.

For the glazed doors a PVC beading section developed by MFB securely mounts the panel in the door. Glazing can be in either glass or acrylic, Smoke Grey tinted is standard. All doors are fabricated in Zinc Phosphated steel with a powder coated finish.

Apart from the double doors all are fitted with left hand hinges, unless right hand is requested. All hinges allow the door to swing a full 180 degrees and the door can be lifted off once it has swung past 90 degrees. The lift off option and the double doors are a useful option when the cabinets are sited in a confined space eg. In a passageway, this can become an OH&S issue.

All lock systems are concealed within the unique box fold design. Standard locks are single point. The double doors are fitted with 2 point locking. For increased security, doors can be fitted with a different key number, an individual lock system, or a registered BiLock / Abloy locking system. In all cases except the double doors, these lock styles can be supplied fitted to 3 point locking systems.

Venting on doors is achieved by using a cluster of 4.5mm square holes along the length of the panel. On vented glazed doors venting is provided down both sides of the window, while the metal doors have significant punching to achieve maximum airflow over the entire door surface.

The finish on doors is a powder coat and can be colour matched to the side panels, or existing cabinets, please refer to the colour chart on the inside rear cover.



PLAIN



DOUBLE



SERVER



GLAZED



GLAZED VENTED



DOUBLE VENTED

*Two point locking on double doors.

S2005 DOORS - PART NUMBERS

RU	TYPE	LH 600 CODE	RH 600 CODE	LH 700/19" CODE	RH 700/19" CODE	LH 800/19" CODE	RH 800/19" CODE
12* METAL LOCKABLE	PLAIN	06003-01	06003-40	06003-130	06003-131	06003-20	06003-50
	VENTED - SERVER	06101-40	06101-41	06101-60	06101-61	06101-80	06101-81
GLASS LOCKABLE	PLAIN	06003-150	06003-170	06003-190	06003-191	06003-160	06003-180
	VENTED	06003-210	06003-226	06003-242	06003-243	06003-218	06003-234
ACRYLIC LOCKABLE	PLAIN	06003-260	06003-261	06003-280	06003-281	06003-300	06003-301
	VENTED	06003-320	06003-321	06003-340	06003-341	06003-360	06003-361
18* METAL LOCKABLE	PLAIN	06003-02	06003-41	06003-132	06003-133	06003-21	06003-51
	VENTED - SERVER	06101-42	06101-43	06101-62	06101-63	06101-82	06101-83
GLASS LOCKABLE	PLAIN	06003-151	06003-171	06003-192	06003-193	06003-161	06003-181
	VENTED	06003-211	06003-227	06003-244	06003-245	06003-219	06003-235
ACRYLIC LOCKABLE	PLAIN	06003-262	06003-263	06003-282	06003-283	06003-302	06003-303
	VENTED	06003-322	06003-323	06003-342	06003-343	06003-362	06003-363
27 METAL LOCKABLE	PLAIN	06003-03	06003-42	06003-136	06003-137	06003-22	06003-52
	VENTED - SERVER	06101-44	06101-45	06101-64	06101-65	06101-84	06101-85
DOUBLE DOORS	PLAIN	06010-01	06010-01	06010-10	06010-10	06010-19	06010-19
	VENTED	06010-28	06010-28	06010-37	06010-37	06010-46	06010-46
GLASS LOCKABLE	PLAIN	06003-152	06003-172	06003-196	06003-197	06003-162	06003-182
	VENTED	06003-212	06003-228	06003-248	06003-249	06003-220	06003-236
ACRYLIC LOCKABLE	PLAIN	06003-264	06003-265	06003-284	06003-285	06003-304	06003-305
	VENTED	06003-324	06003-325	06003-344	06003-345	06003-364	06003-365
33 METAL LOCKABLE	PLAIN	06003-04	06003-43	06003-138	06003-139	06003-23	06003-53
	VENTED - SERVER	06101-46	06101-47	06101-66	06101-67	06101-86	06101-87
DOUBLE DOORS	PLAIN	06010-02	06010-02	06010-11	06010-11	06010-20	06010-20
	VENTED	06010-29	06010-29	06010-38	06010-38	06010-47	06010-47
GLASS LOCKABLE	PLAIN	06003-153	06003-173	06003-198	06003-199	06003-163	06003-183
	VENTED	06003-213	06003-229	06003-250	06003-251	06003-221	06003-237
ACRYLIC LOCKABLE	PLAIN	06003-266	06003-267	06003-286	06003-287	06003-306	06003-307
	VENTED	06003-326	06003-327	06003-346	06003-347	06003-366	06003-367
39 METAL LOCKABLE	PLAIN	06003-05	06003-44	06003-140	06003-141	06003-24	06003-54
	VENTED - SERVER	06101-48	06101-49	06101-68	06101-69	06101-88	06101-89
DOUBLE DOORS	PLAIN	06010-03	06010-03	06010-12	06010-12	06010-21	06010-21
	VENTED	06010-30	06010-30	06010-39	06010-39	06010-48	06010-48
GLASS LOCKABLE	PLAIN	06003-154	06003-174	06003-200	06003-201	06003-164	06003-184
	VENTED	06003-214	06003-230	06003-252	06003-253	06003-222	06003-238
ACRYLIC LOCKABLE	PLAIN	06003-268	06003-269	06003-288	06003-289	06003-308	06003-309
	VENTED	06003-328	06003-329	06003-348	06003-349	06003-368	06003-369
42 METAL LOCKABLE	PLAIN	06003-06	06003-45	06003-142	06003-143	06003-25	06003-55
	VENTED - SERVER	06101-50	06101-51	06101-70	06101-71	06101-90	06101-91
DOUBLE DOORS	PLAIN	06010-04	06010-04	06010-13	06010-13	06010-22	06010-22
	VENTED	06010-31	06010-31	06010-40	06010-40	06010-49	06010-49

NOTES:

Double Doors not available in 12RU and 18RU sizes.
All doors are available in non-lockable magnetic if required, please ask our sales staff for information.

S2005 DOORS - PART NUMBERS

RU	TYPE	LH 600 CODE	RH 600 CODE	LH 700/19" CODE	RH 700/19" CODE	LH 800/19" CODE	RH 800/19" CODE
GLASS LOCKABLE	PLAIN	06003-155	06003-175	06003-202	06003-203	06003-165	06003-185
	VENTED	06003-215	06003-231	06003-254	06003-255	06003-223	06003-239
ACRYLIC LOCKABLE	PLAIN	06003-270	06003-271	06003-290	06003-291	06003-310	06003-311
	VENTED	06003-330	06003-331	06003-350	06003-351	06003-370	06003-371
45 METAL LOCKABLE	PLAIN	06003-07	06003-46	06003-144	06003-145	06003-26	06003-56
	VENTED - SERVER	06101-52	06101-53	06101-72	06101-73	06101-92	06101-93
DOUBLE DOORS	PLAIN	06010-05	06010-05	06010-14	06010-14	06010-23	06010-23
	VENTED	06010-32	06010-32	06010-41	06010-41	06010-50	06010-50
GLASS LOCKABLE	PLAIN	06003-156	06003-176	06003-204	06003-205	06003-166	06003-186
	VENTED	06003-216	06003-232	06003-256	06003-257	06003-224	06003-240
ACRYLIC LOCKABLE	PLAIN	06003-272	06003-273	06003-292	06003-293	06003-312	06003-313
	VENTED	06003-332	06003-333	06003-352	06003-353	06003-372	06003-373V

S2005 LIFT & SWING HANDLE OPTION

All 2005 series doors are available with a "lift & swing" handle; this handle may be linked to either a single-point lock or multi-point lock rods.

NOTE: Please contact our sales staff for further information.



S2005 MULTI-POINT OPTION

For added security, an optional multi-point locking system is available. The standard centre lock flag is retained and is coupled to rods; which lock the top and bottom of the door. Security with both the single point and the multipoint systems can be further upgraded by the addition of 'Bilock' or similar locks.



MULTIPOINT LOCKING KIT

RU	CODE
27	06018-01
33	06018-02
39	06018-03
42	06018-04
45	06018-05

S2005 BILOCKS OPTION

Bilocks may be specified when added security is a requirement. They can be keyed to a series with a masterkey and can be fitted to all sides and doors.

NOTE: Please contact our sales staff for further information.



S2005 SEAL KIT

This seal kit enables a higher level of protection for dust and water on the S2005 range of cabinets. When seal is fitted to all doors and sides of the cabinet, and when used in conjunction with the plain top panel, it provides protection of around IP34.

S2005 SEAL KIT

RU	CODE
18	06024-02
27	06024-03
39	06024-05
45	06024-07

S2005 SMARTLOCK HANDLE

IP addressable smartlock systems are available for the S2005 range of doors. Providing flexibility, remote locking and traceability, the smartlock system with temperature and humidity sensing, can be fitted to all door configurations. (See page 83 for more details).



S2005 SIDE PANELS

Side Panels are fitted when required. They come with slam type latches which are positioned at a workable height making them ergonomically friendly to use. Standard or BiLock type locks can be added for increased security.



S2005 SIDE PANEL LOCK

TYPE	CODE
LOCK	37003-01

S2005 DIVIDER PANELS

Divider Panels can be used when cabinets are bayed together and access needs to be isolated between the rack or when ventilation needs to be controlled. Only one panel is required per pair of Cabinets.



NOTES:

*For 1200 Deep Cabinets, dual 600 Deep Sides are used.

S2005 SIDE & DIVIDER PANELS

RU	DEPTH	SIDE CODE	DIVIDER CODE
12	600	06006-01	06015-01
	700	06006-02	06015-02
	800	06006-03	06015-03
	900	06006-04	06015-24
	1000	06006-05	06015-25
	1200*	2X06006-01	2X06015-01
18	600	06006-06	06015-04
	700	06006-07	06015-05
	800	06006-08	06015-06
	900	06006-09	06015-26
	1000	06006-10	06015-27
	1200*	2X06006-06	2X06015-04
27	600	06006-11	06015-07
	700	06006-12	06015-08
	800	06006-13	06015-09
	900	06006-14	06015-28
	1000	06006-15	06015-29
	1200*	2X06006-11	2X06015-07
33	600	06006-16	06015-10
	700	06006-17	06015-11
	800	06006-18	06015-12
	900	06006-19	06015-30
	1000	06006-20	06015-31
	1200*	2X06006-16	2X06015-10
39	600	06006-21	06015-13
	700	06006-22	06015-14
	800	06006-23	06015-15
	900	06006-24	06015-32
	1000	06006-25	06015-33
	1200*	2X06006-21	2X06015-13
42	600	06006-26	06015-16
	700	06006-27	06015-17
	800	06006-28	06015-18
	900	06006-29	06015-34
	1000	06006-30	06015-35
	1200*	2X06006-26	2X06015-16
45	600	06006-31	06015-19
	700	06006-32	06015-20
	800	06006-33	06015-21
	900	06006-34	06015-22
	1000	06006-35	06015-23
	1200*	2X06006-31	2X06015-19

S2005 REAR PANELS

Rear panels are generally used to restrict access to the cabinet where its not up against a wall, or when that restriction is not enough of a deterrent.

S2005 3RU & 6RU SIDE CABLE ENTRY PANELS

Allow cable access without imposing restrictions on the removable side panels.

The next standard size down side panel is supplied with a matching infil panel i.e. on a 45RU cabinet use a 6RU infil panel and a 39RU side panel.

The Base Side Cable Entry panels are made up as follows:

12RU	3RU Infil and 9RU Side
18RU	6RU Infil and 12RU Side
27RU	3RU Infil and 24RU Side
33RU	6RU Infil and 27RU Side
39RU	6RU Infil and 33RU Side
42RU	3RU Infil and 39RU Side
45RU	6RU Infil and 39RU Side



S2005 REAR PANELS

RU	WIDTH	CODE
12	600	06014-01
	700	06014-15
	800	06014-02
18	600	06014-03
	700	06014-16
	800	06014-04
27	600	06014-05
	700	06014-18
	800	06014-06
33	600	06014-07
	700	06014-19
	800	06014-08
39	600	06014-09
	700	06014-20
	800	06014-10
42	600	06014-11
	700	06014-21
	800	06014-12
45	600	06014-13
	700	06014-22
	800	06014-14

S2005 SIDE CABLE ENTRY PANELS

RU	DEPTH	CODE
12	600	06016-01
	700	06016-02
	800	06016-03
	900	06016-22
	1000	06016-23
	1200*	2X06016-01
	600	06016-04
18	700	06016-05
	800	06016-06
	900	06016-24
	1000	06016-25
	1200*	2X06016-04
27	600	06016-07
	700	06016-08
	800	06016-09
	900	06016-26
	1000	06016-27
	1200*	2X06016-07
	600	06016-19
33	700	06016-20
	800	06016-21
	900	06016-34
	1000	06016-35
	1200*	2X06016-19
39	600	06016-10
	700	06016-11
	800	06016-12
	900	06016-28
	1000	06016-29
	1200*	2X06016-10
	600	06016-13
42	700	06016-14
	800	06016-15
	900	06016-30
	1000	06016-31
	1200*	2X06016-13
45	600	06016-16
	700	06016-17
	800	06016-18
	900	06016-32
	1000	06016-33
	1200*	2X06016-16