

TYPE A 19" & 650 RACK CABINETS



This Australian Design Award winning cabinet is both aesthetically pleasing and versatile, being well suited to office, computer room, and similar environments, where access to the housed equipment may have to be controlled. It comes with an impressive range of equally well conceived accessories and can readily be bayed up when multiple cabinets are demanded.

The 650 cabinet is identical except for the width. This cabinet will accept equipment up to 650mm wide. Its overall width is 725mm plus 20mm for each side panel. It may also be readily bayed up with the 19" cabinet to present a continuity of style.

FEATURES

- Adjustable equipment mounting angles at front and rear of cabinet ensure adequate space between the front of equipment and front door, and also looming space at rear of cabinet. These mounting angles are punched to conform to IEC 60297 practice.
- Removable bottom trims at front and rear allow cable access when through floor entry is not available. These trims can also be replaced with grille trims, which can be used in conjunction with a plinth fan unit. (Refer to Accessories section).
- Cabinets are provided with fastening down holes in the frame base.
- Whilst the racks can be supplied in kit form, completely assembled ready to use is standard.

OPTIONS

- Flush doors at front and rear are mounted on lift-off type hinges. The doors have a full 180° swing and are fitted with central key locks or magnetic catches.
- Tinted glazed doors may be specified (option of glass or acrylic).
- Metal doors can be plain or fully vented.
- Doors are left-hand hinged unless requested otherwise.
- Levelling feet can be fitted inside the rack-base when the floor condition demands them.
- Castors only add 20mm to the overall height of the rack on the 19" version.
- Levelling feet and brakes can be specified for use with these rails, however the brakes must be activated from within the rack.

CONSTRUCTION

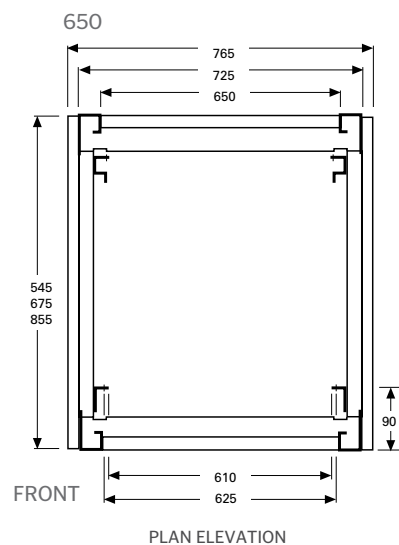
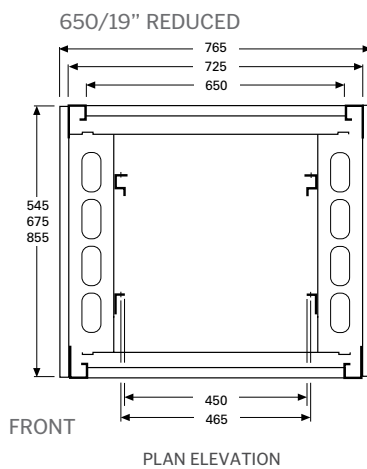
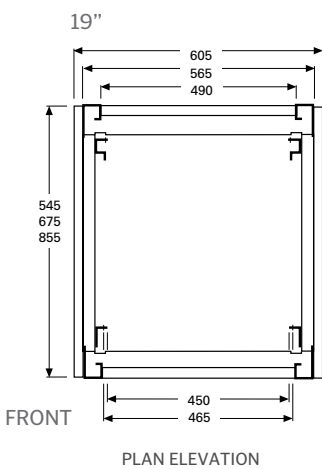
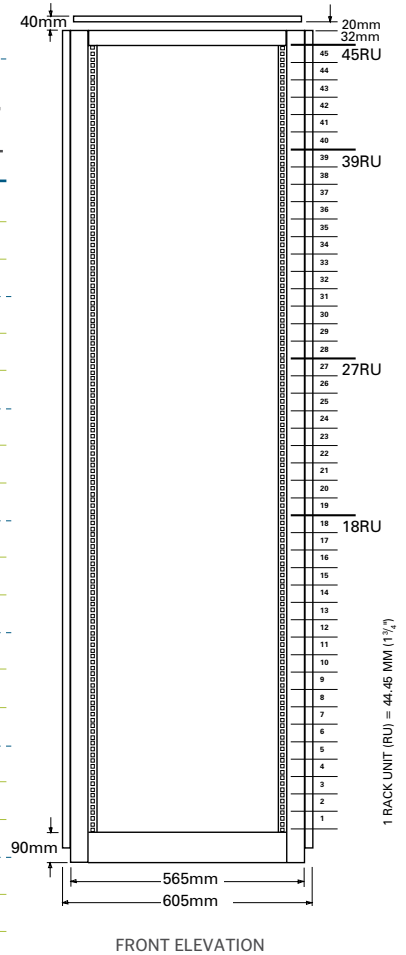
The frame and panels are constructed from phosphated steel and designed with strength in mind. The frame is assembled using Hemlocks, matched with unique construction methods which provide a strong heavy load carrying design.

FINISH

All components have a zinc phosphate pre-treatment prior to powder coating. Refer to the colour chart on inside rear cover for colour details.

TYPE A 650/19" REDUCED RACK CABINET FRAMES

RU	USABLE HEIGHT	OVERALL HEIGHT	USABLE DEPTH	OVERALL DEPTH	19" CODE	19" WEIGHT	650 CODE	650 WEIGHT	650/19" CODE	650/19" WEIGHT
12	534	676	405	545	02200-21	34	02201-16	40	02204-16	40
			535	675	02200-25	40	02201-20	46	02204-17	48
			715	855	02200-29	43	02201-24	49	02204-18	51
18	800	942	405	545	02200-22	44	02201-17	50	02204-19	52
			535	675	02200-26	50	02201-21	56	02204-20	58
			715	855	02200-30	55	02201-25	61	02204-21	63
24	1067	1209	405	545	02200-23	54	02201-18	60	02204-22	63
			535	675	02200-27	60	02201-22	66	02204-23	69
			715	855	02200-31	67	02201-26	73	02204-24	76
27	1200	1342	405	545	02200-01	59	02201-01	65	02204-01	68
			535	675	02200-04	65	02201-04	71	02204-04	74
			715	855	02200-07	73	02201-07	76	02204-07	82
33	1467	1609	405	545	02200-24	69	02201-19	76	02204-25	80
			535	675	02200-28	75	02201-23	83	02204-26	87
			715	855	02200-32	83	02201-27	91	02204-27	95
39	1734	1876	405	545	02200-02	79	02201-02	86	02204-02	90
			535	675	02200-05	86	02201-05	94	02204-05	98
			715	855	02200-08	96	02201-08	104	02204-08	108
45	2000	2142	405	545	02200-03	89	02201-03	97	02204-03	101
			535	675	02200-06	97	02201-06	105	02204-06	109
			715	855	02200-09	109	02201-09	117	02204-09	121



NOTES:

An extra wide version is available to accommodate the vertical cable ducts on either side of the 19" racking, the 690 wide provides 100mm down either side allowing for additional cable management, and fitting of the 100mm side cable ducts. Talk to your sales representative for details.

TYPE A 19" & 650 RACK CABINETS - DOORS

TYPE A - DOORS

RU	TYPE	LH 19" CODE	R/H 19" CODE	L/H 650/ 19" CODE	R/H 650/19" CODE
12	METAL LOCKABLE - PLAIN	02006-21	02007-21	02006-24	02007-24
	- VENTED SERVER	02037-01	02037-02	02037-51	02037-52
	GLASS - LOCKABLE	02009-13	02010-13	02009-17	02010-17
	ACRYLIC - LOCKABLE	02089-19	02090-15	02089-20	02090-19
18	METAL LOCKABLE - PLAIN	02006-16	02007-16	02006-25	02007-25
	- VENTED SERVER	02037-03	02037-04	02037-53	02037-54
	GLASS - LOCKABLE	02009-14	02010-14	02009-18	02010-18
	ACRYLIC - LOCKABLE	02089-14	02090-16	02089-16	02090-13
24	METAL LOCKABLE - PLAIN	02006-22	02007-22	02006-26	02007-26
	- VENTED SERVER	02037-05	02037-06	02037-55	02037-56
	GLASS - LOCKABLE	02009-15	02010-15	02009-19	02010-19
	ACRYLIC - LOCKABLE	02089-18	02090-17	02089-21	02090-20
27	METAL LOCKABLE - PLAIN	02006-01	02007-01	02006-04	02007-04
	- VENTED SERVER	02037-07	02037-08	02037-57	02037-58
	GLASS - LOCKABLE	02009-01	02010-01	02009-04	02010-04
	ACRYLIC - LOCKABLE	02089-01	02090-01	02089-04	02090-04
33	METAL LOCKABLE - PLAIN	02006-23	02007-23	02006-27	02007-27
	- VENTED SERVER	02037-09	02037-10	02037-59	02037-60
	GLASS - LOCKABLE	02009-16	02010-16	02009-20	02010-20
	ACRYLIC - LOCKABLE	02089-23	02090-18	02089-22	02090-21
39	METAL LOCKABLE - PLAIN	02006-02	02007-02	02006-05	02007-05
	- VENTED SERVER	02037-11	02037-12	02037-61	02037-62
	GLASS - LOCKABLE	02009-02	02010-02	02009-05	02010-05
	ACRYLIC - LOCKABLE	02089-02	02090-02	02089-05	02090-05
45	METAL LOCKABLE - PLAIN	02006-03	02007-03	02006-06	02007-06
	- VENTED SERVER	02037-13	02037-14	02037-63	02037-64
	GLASS - LOCKABLE	02009-03	02010-03	02009-06	02010-06
	ACRYLIC - LOCKABLE	02089-03	02090-03	02089-06	02090-06

NOTES:

*Magnetic doors are available on request.

TOP PANELS

Top panels may be spaced off from the rack frame for ventilation or fastened down onto the frame (non-vented). A grille top is also available and may be fitted with a baffle for dust protection. This top is also used in conjunction with the roof fan tray. (Refer to Accessories section).

Lifting eyes can be specified. However they cannot be readily retro fitted.

TYPE A - TOP PANELS

WIDTH	DEPTH	PLAIN	VENTED	GRILLE WITH GLAND
		CODE	CODE	PLATE CODE
19"	545	02004-01	02004-20	02005-50
	675	02004-02	02004-21	02005-51
	855	02004-03	02004-22	02005-52
650	545	02004-05	02004-24	02005-54
	675	02004-06	02004-25	02005-55
	855	02004-07	02004-26	02005-56

REAR FLUSH PANELS

Rear panels are generally used to restrict access to the cabinet where its not up against a wall, or when a door is not required.

TYPE A - REAR FLUSH PANELS

RU	19" CODE	650 CODE
12	02034-04	02034-23
18	02034-05	02034-24
24	02034-06	02034-25
27	02034-01	02034-20
33	02034-07	02034-26
39	02034-02	02034-21
45	02034-03	02034-22

SIDE PANELS

Side panels are fitted when required. They are secured using 4 locating buttons fixed to the frame, the panel slides down over button providing a secure fit. Internal locking can be provided for added security.

TYPE A SIDE PANELS

RU	DEPTH	CODE
12	545	02002-29
	675	02002-30
	855	02002-31
18	545	02002-28
	675	02002-18
	855	02002-32
24	545	02002-33
	675	02002-34
	855	02002-35
27	545	02002-01
	675	02002-02
	855	02002-03
33	545	02002-36
	675	02002-37
	855	02002-38
39	545	02002-05
	675	02002-06
	855	02002-07
45	545	02002-09
	675	02002-10
	855	02002-11

DIVIDER PANELS

These flat panels are for use between bayed cabinets when cabinet isolation is required.

TYPE A DIVIDER PANELS

RU	DEPTH	CODE
12	545	12025-10
	675	12025-11
	855	12025-12
18	545	12025-13
	675	12025-14
	855	12025-15
24	545	12025-16
	675	12025-17
	855	12025-18
27	545	12025-01
	675	12025-02
	855	12025-03
33	545	12025-19
	675	12025-20
	855	12025-21
39	545	12025-04
	675	12025-05
	855	12025-06
45	545	12025-07
	675	12025-08
	855	12025-09