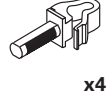
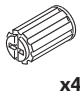
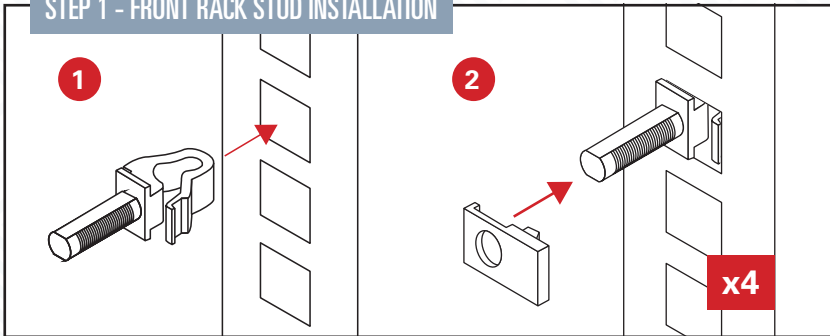


# CANTILEVER SHELF ASSEMBLY GUIDE

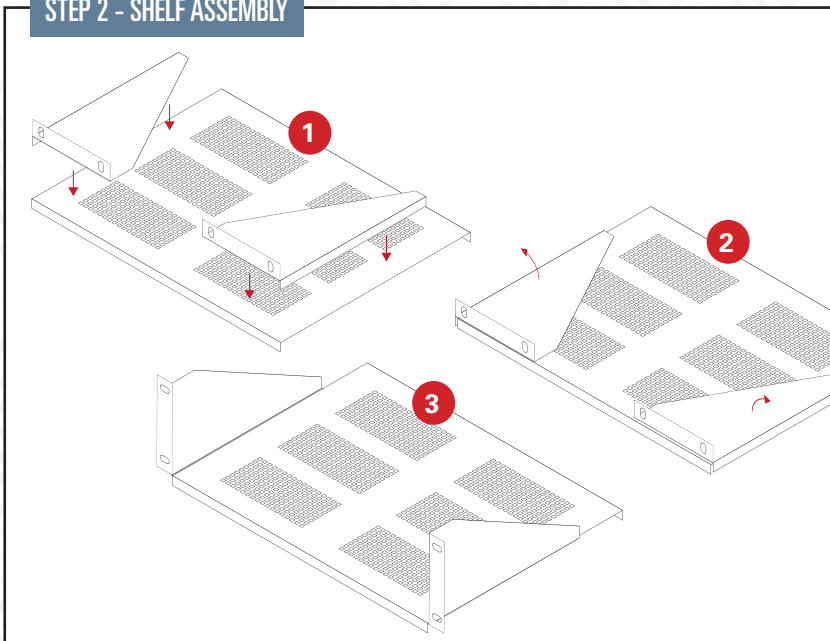
## REQUIRED ITEMS



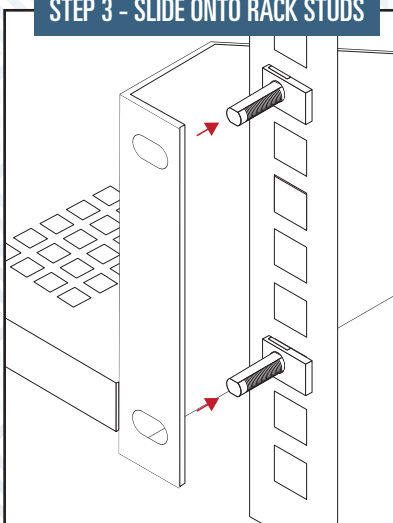
## STEP 1 - FRONT RACK STUD INSTALLATION



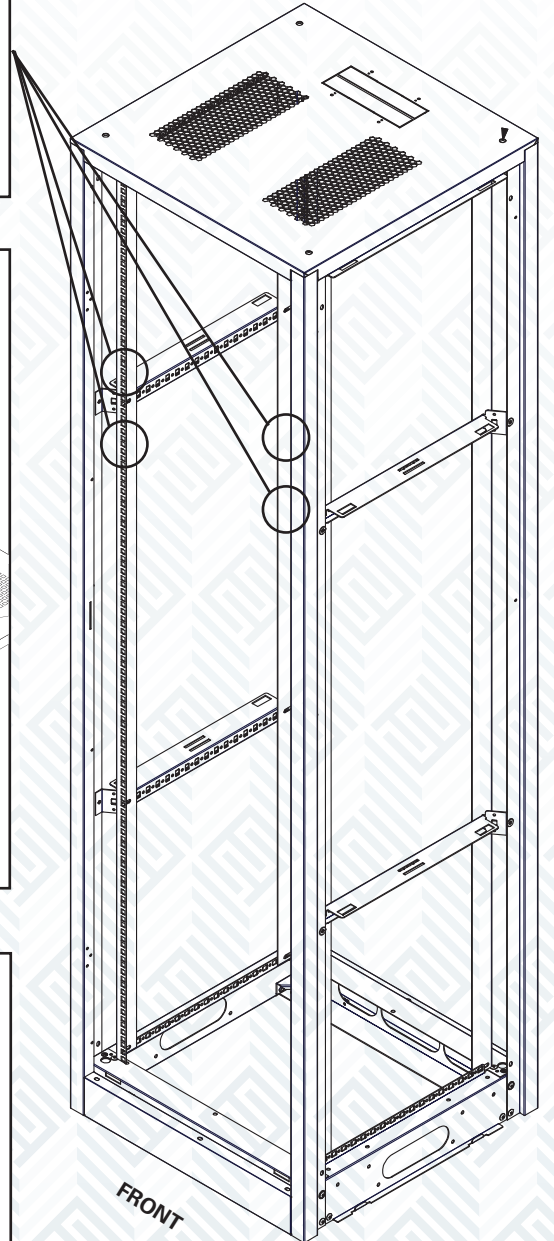
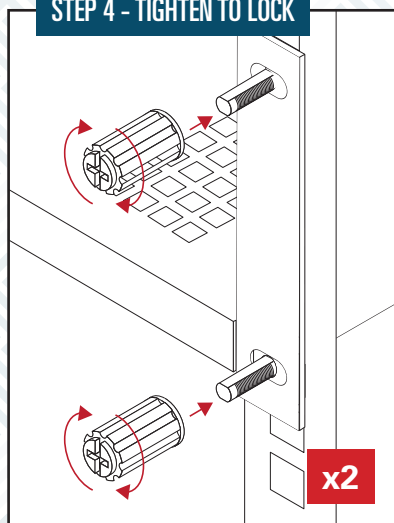
## STEP 2 - SHELF ASSEMBLY



## STEP 3 - SLIDE ONTO RACK STUDS



## STEP 4 - TIGHTEN TO LOCK



MFB PRODUCTS PTY LTD

105 Lewis Rd  
Wantirna South VIC 3152  
Australia

T +61 3 9801 1044 / +61 3 9749 1922  
E sales@mfb.com.au  
W www.mfb.com.au

