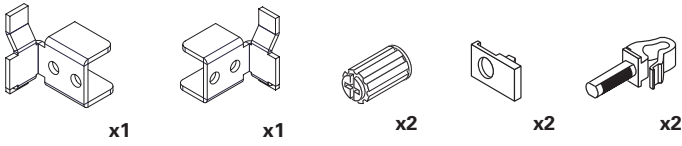
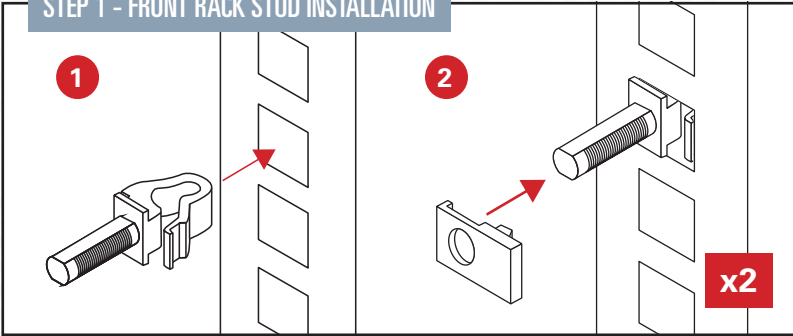


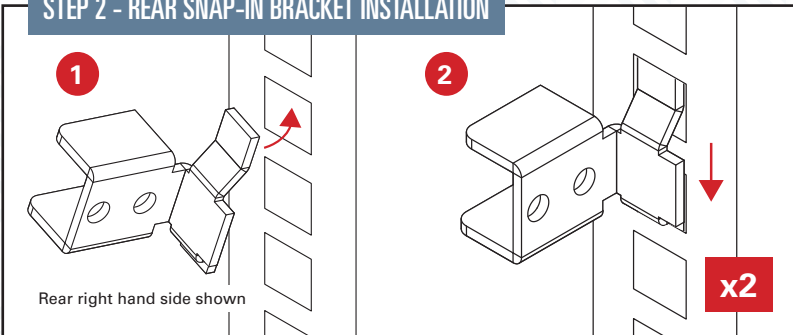
REQUIRED ITEMS



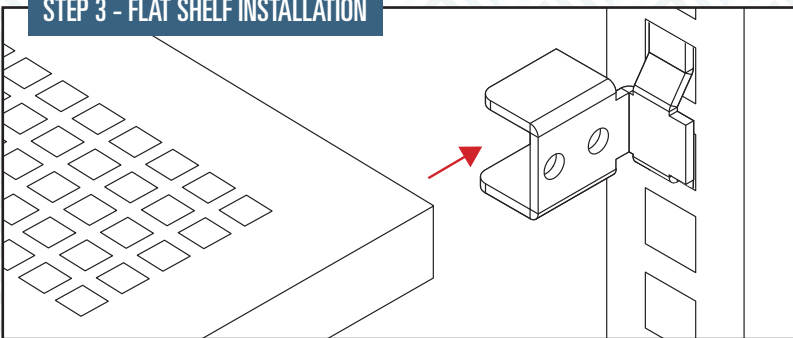
STEP 1 - FRONT RACK STUD INSTALLATION



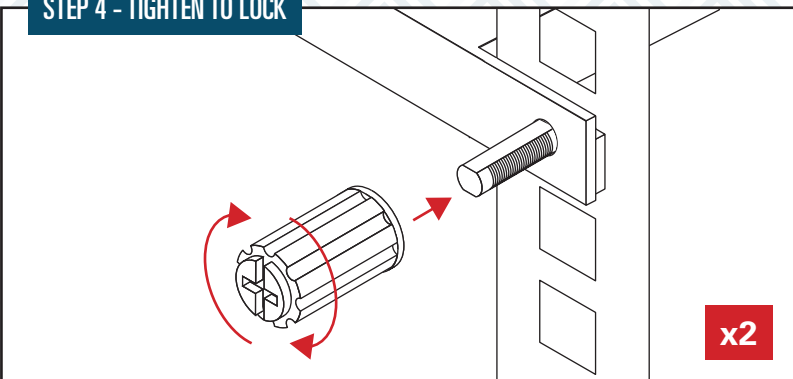
STEP 2 - REAR SNAP-IN BRACKET INSTALLATION



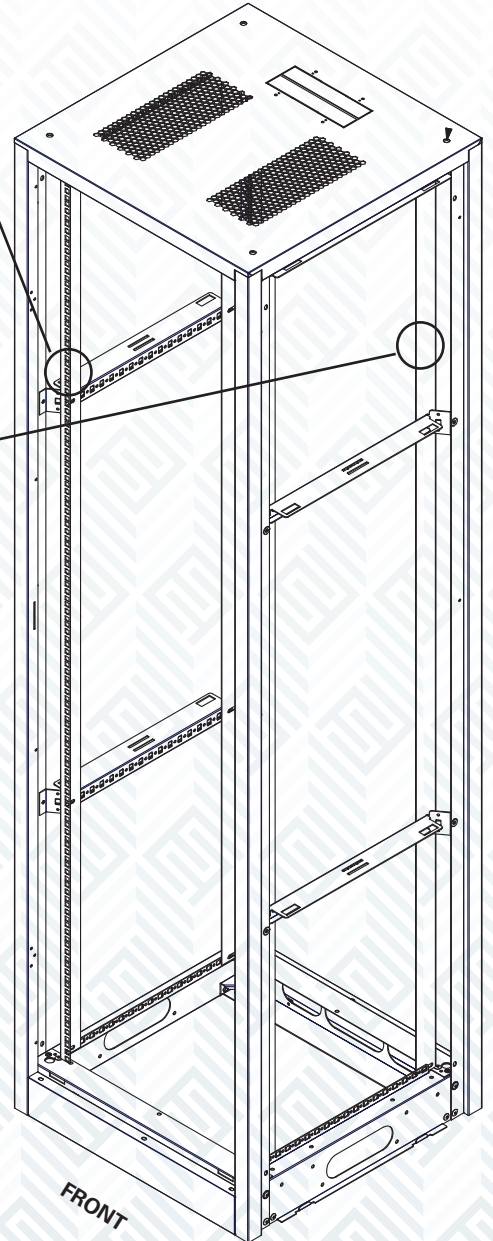
STEP 3 - FLAT SHELF INSTALLATION



STEP 4 - TIGHTEN TO LOCK



FLAT SHELF ASSEMBLY GUIDE



MFB PRODUCTS PTY LTD

105 Lewis Rd
Wantirna South VIC 3152
Australia

T +61 3 9801 1044 / +61 3 9749 1922
E sales@mfb.com.au
W www.mfb.com.au

