

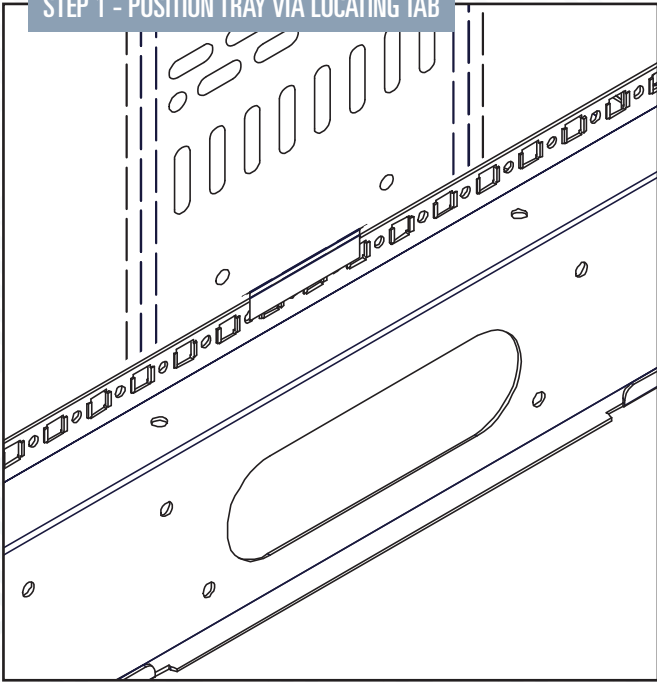
VERTICAL CABLE TRAY INSTALLATION GUIDE

REQUIRED ITEMS

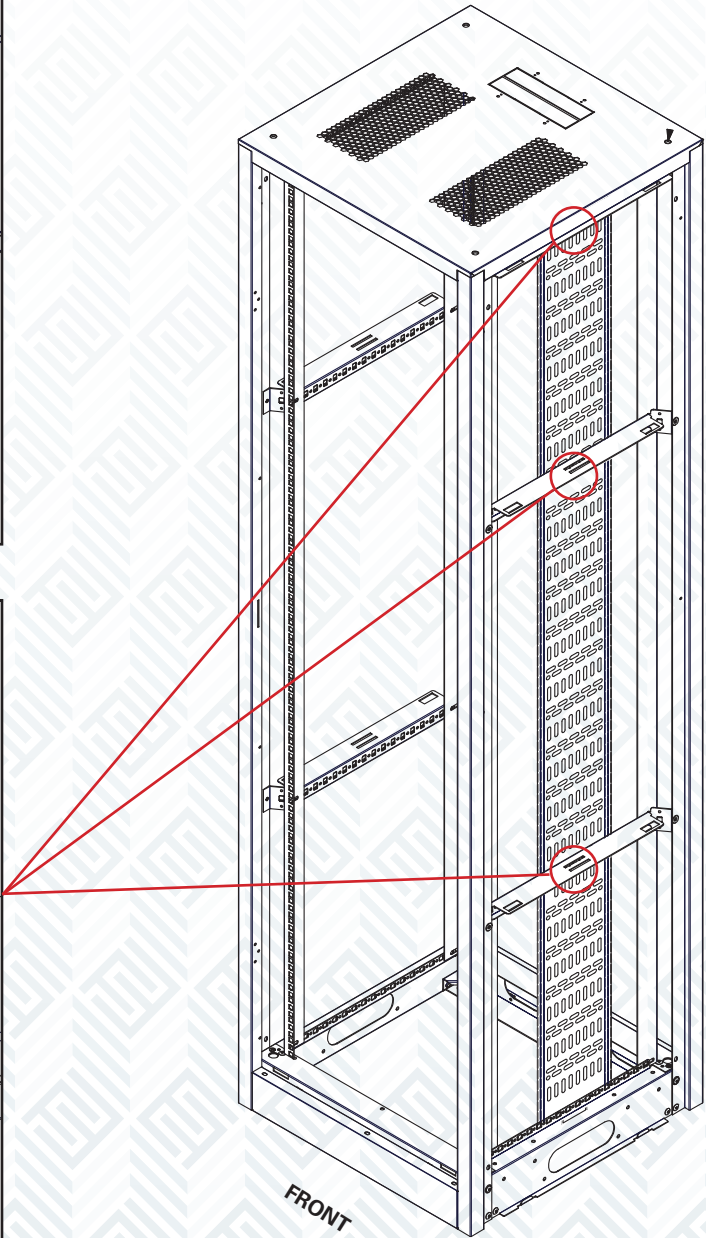
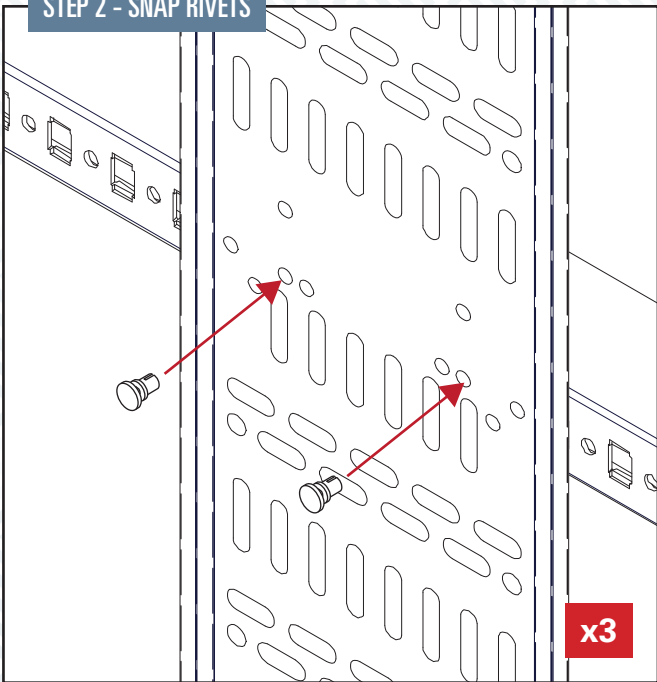


x6

STEP 1 - POSITION TRAY VIA LOCATING TAB



STEP 2 - SNAP RIVETS



*Note: Cable Tray can be installed on either side of the rack

