



# HIGH SECURITY CABINETS

MFB High Security cabinets have been developed for applications where security is paramount, but is less strict than Class B and Class C SSEC compliance. These cabinets feature increased cable entry zones and better flexibility for larger cabling applications.

Cabinets are fully welded and made using the same construction techniques as the SSEC rated cabinets.








**FEATURES**

<b>Frame</b>	Fully welded, 1000kg load rated
<b>Doors</b>	Hung on multiple hinges and secured in the closed position by high security locking systems LH hinged as standard, RH hinged available
<b>Mounting Angles</b>	Adjustable front and rear
<b>Plinth</b>	Integrated
<b>Cable Entry Points</b>	Standard in base and top
<b>Removable Side Panels</b>	Secured from within the cabinet
<b>Levelling</b>	Levelling feet - Standard
<b>Bolt Down Provisions</b>	Available in base

**OPTIONS**

<b>Fans</b>	Roof & door mount fan units available (Thermostatically controlled fans available, fans in roof will reduce amount of cable entry)
<b>Doors</b>	180° Swing, LH or RH Swing Single - Metal / Vented or Plain
<b>Castors</b>	Can be fitted within the plinth (adds 18mm to overall height)
<b>Venting</b>	Vented sides top & bottom
<b>Air Conditioning</b>	Seifert precision air conditioner system can be fitted
<b>Baying Up Kits</b>	Bayable in rows
<b>Wall Mounting</b>	Can be manufactured to suit
<b>Cable Access</b>	Additional holes available
<b>Compartments</b>	Split multi compartment available

**FINISH**

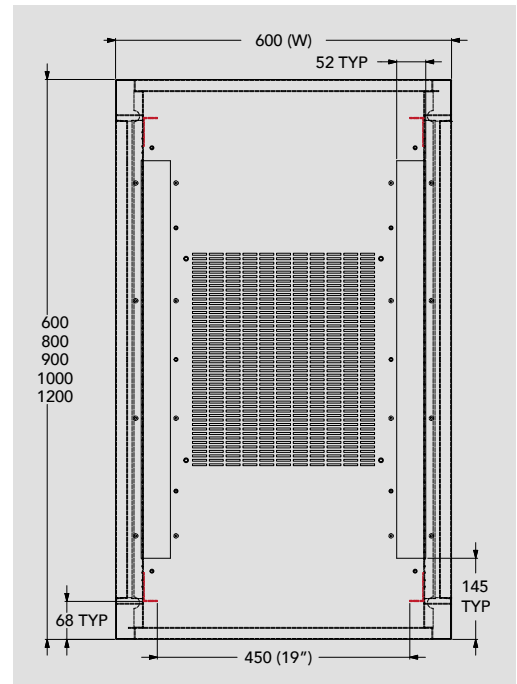
<b>Frame</b>	 <b>34002-44</b> Sable Black (Other colours available upon request)
<b>Panels</b>	All components have a zinc phosphate pre-treatment prior to powder coating.  <b>34002-44</b> Sable Black  <b>34002-60</b> Monument  <b>34002-61</b> Deep Ocean  <b>34002-62</b> Dune  <b>34002-63</b> Paperbark  <b>34002-64</b> White

**SIZES**

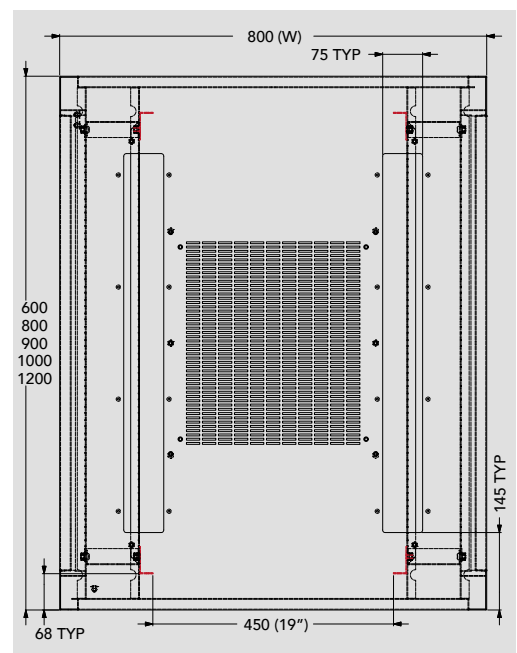
<b>Heights (RU)</b>	12, 18, 27, 39, 42, 45
<b>Depths (mm)</b>	600, 800, 900, 1000, 1200
<b>Widths (mm)</b>	600, 800*

\*Internally reduced to 19" racking

DEPTH (MM)	MAX MOUNTING DEPTH (MM)
600	510
800	710
900	810
1000	910
1200	1110



600 Wide



800/19" Wide

While MFB offer a large range of standard size cabinets, special sizes are available. Please discuss your needs with one of our sales representatives.