



# TYPE A CABINETS

The Original Australian Design Award 19" Cabinets are suited to office and computer room environments. A variety of heights, widths and depths, with load ratings to 1000kgs, they are a bolt together design which allows flat packing for freight purposes.

Other features include the unique raised top panel for venting and the externally mounted lift off side panels.

**FEATURES**

<b>Frame</b>	Heavy duty, bolted, load rated 1000kg
<b>Rack Mounting Angles</b>	Adjustable front and rear
<b>Cable Access</b>	Removable bottom trims front and rear & top panel gland
<b>Bolt Down Provisions</b>	Available in base
<b>Assembly</b>	Bolt together construction Can be supplied in kit form

**OPTIONS**

<b>Doors</b>	180° swing, lift off hinges, LH or RH swing Single - Metal or Glass / Vented or Plain Double - Metal / Vented or Plain
<b>Security</b>	Multipoint Locking Swing Handles High Security Locks Door Switches
<b>Roof Fan Trays</b>	2, 4 and 6 fan versions with optional thermostat and speed controller
<b>Roof Cabling</b>	Cable ducts (adjustable in height)
<b>RU Markers</b>	Printed on mounting angles front & rear
<b>Mobility</b>	Castors with brake option (adds 30mm to height)
<b>Levelling</b>	Levelling feet (adjustable)
<b>Stabilizing</b>	Retractable feet at front
<b>Lifting</b>	Lifting eye bolts (400kg rating)
<b>Cable Glands</b>	Brushed
<b>Baying</b>	Bayable in rows

**FINISH**

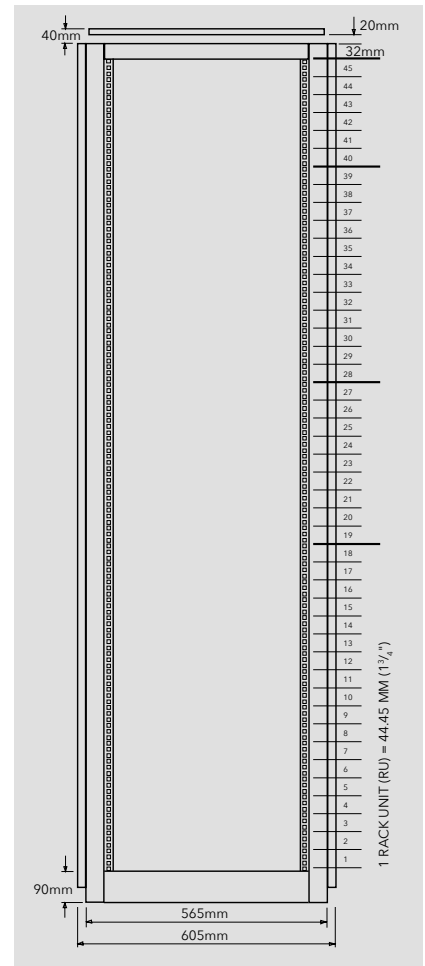
<b>Frame</b>	<div style="display: flex; align-items: center;"> <div style="width: 15px; height: 15px; background-color: black; margin-right: 5px;"></div> <span><b>34002-44</b> Sable Black</span> </div> (Other colours available upon request)
<b>Panels</b>	All components have a zinc phosphate pre-treatment prior to powder coating. <ul style="list-style-type: none"> <li><div style="display: flex; align-items: center; margin-bottom: 2px;"> <div style="width: 15px; height: 15px; background-color: black; margin-right: 5px;"></div> <span><b>34002-44</b> Sable Black</span> </div> </li> <li><div style="display: flex; align-items: center; margin-bottom: 2px;"> <div style="width: 15px; height: 15px; background-color: gray; margin-right: 5px;"></div> <span><b>34002-60</b> Monument</span> </div> </li> <li><div style="display: flex; align-items: center; margin-bottom: 2px;"> <div style="width: 15px; height: 15px; background-color: darkblue; margin-right: 5px;"></div> <span><b>34002-61</b> Deep Ocean</span> </div> </li> <li><div style="display: flex; align-items: center; margin-bottom: 2px;"> <div style="width: 15px; height: 15px; background-color: lightgray; margin-right: 5px;"></div> <span><b>34002-62</b> Dune</span> </div> </li> <li><div style="display: flex; align-items: center; margin-bottom: 2px;"> <div style="width: 15px; height: 15px; background-color: gold; margin-right: 5px;"></div> <span><b>34002-63</b> Paperbark</span> </div> </li> <li><div style="display: flex; align-items: center; margin-bottom: 2px;"> <div style="width: 15px; height: 15px; background-color: white; margin-right: 5px;"></div> <span><b>34002-64</b> White</span> </div> </li> </ul>

**SIZES**

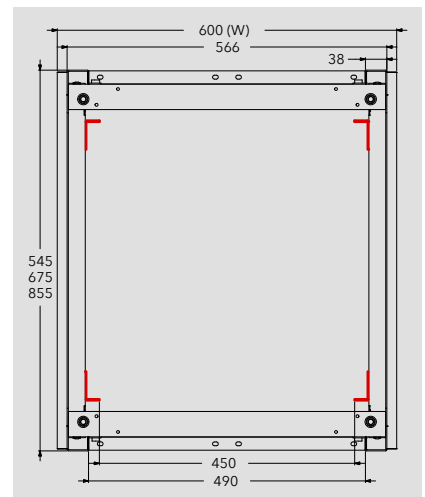
<b>Heights (RU)</b>	12, 18, 24, 27, 33, 39, 45
<b>Depths (mm)</b>	545, 675, 855
<b>Widths (mm)</b>	600, 800*

\*Reducer rack available, which offers 19" mounting in the 800mm overall width cabinets, thus providing increased cabling space at the sides for larger installation.

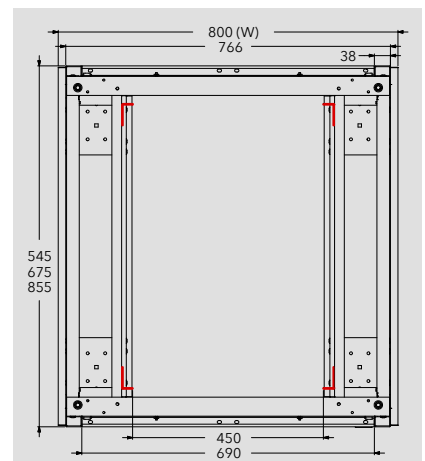
DEPTH (MM)	MAX MOUNTING DEPTH (MM)
545	405
675	535
855	715



Front Elevation



600 Wide



800/19" Wide

**FRAME**

RU	OVERALL HEIGHT	TOTAL DEPTH	600 CABINET	KG	800/19" CABINET	KG
12	534	545	<b>02200-21</b>	34	<b>02202-01</b>	40
		675	<b>02200-25</b>	40	<b>02202-08</b>	48
		855	<b>02200-29</b>	43	<b>02202-15</b>	51
18	800	545	<b>02200-22</b>	44	<b>02202-02</b>	52
		675	<b>02200-26</b>	50	<b>02202-09</b>	58
		855	<b>02200-30</b>	55	<b>02202-16</b>	63
24	1067	545	<b>02200-23</b>	54	<b>02202-03</b>	63
		675	<b>02200-27</b>	60	<b>02202-10</b>	69
		855	<b>02200-31</b>	67	<b>02202-17</b>	76
27	1200	545	<b>02200-01</b>	59	<b>02202-04</b>	68
		675	<b>02200-04</b>	65	<b>02202-11</b>	74
		855	<b>02200-07</b>	73	<b>02202-18</b>	82
33	1467	545	<b>02200-24</b>	69	<b>02202-05</b>	80
		675	<b>02200-28</b>	75	<b>02202-12</b>	87
		855	<b>02200-32</b>	83	<b>02202-19</b>	95
39	1734	545	<b>02200-02</b>	79	<b>02202-06</b>	90
		675	<b>02200-05</b>	86	<b>02202-13</b>	98
		855	<b>02200-08</b>	96	<b>02202-20</b>	108
45	2000	545	<b>02200-03</b>	89	<b>02202-07</b>	101
		675	<b>02200-06</b>	97	<b>02202-14</b>	109
		855	<b>02200-09</b>	109	<b>02202-21</b>	121

**DOORS**

These innovatively designed doors are a feature of the Type A cabinet range. The unique box fold on both sides of the door was developed employing state of the art bending technology and machinery that provided the platform for the development of these doors. This technique ensures that the doors will be both light and strong.

The Type A cabinet glass doors feature an adhesive seal which is directly applied onto the door surface, creating a secure mount design between the metal frame and glass. An acrylic alternative is optional.

Apart from the double doors all are fitted with left hand hinges, unless right hand is requested. All hinges allow the door to swing a full 180 degrees and the door can be lifted off once it has swung past 90 degrees. The lift off feature and the double doors are useful when the cabinets are sited in a confined space e.g.. In a passageway.

All lock systems are concealed within the unique box fold design. Standard locks are single point. The double doors are fitted with 3 point locking. For increased security, doors can be fitted with a different key number, an individual lock system, or a registered BiLock / Abloy locking system. In all cases, these lock styles can be supplied fitted to 3 point locking systems.

On vented glazed doors venting is provided down both sides of the window, while the metal doors have significant punching to achieve maximum airflow over the entire door surface.

The finish on doors is a powder coat and can be colour matched to the side panels, or existing cabinets.

**PANELS**



Plain Top Panel



Vented Top Panel



Grilled Top Panel

**The Type A Rack Cabinet generally conforms to IEC 60297 and AS1939 practice. Weights are for Frame sides, 2 metal doors & Mounting angles.**